

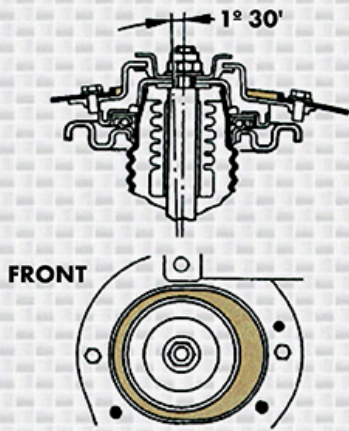
TOP MOUNTING POSITION

Citröen ZX, Berlingo / Peugeot Partner

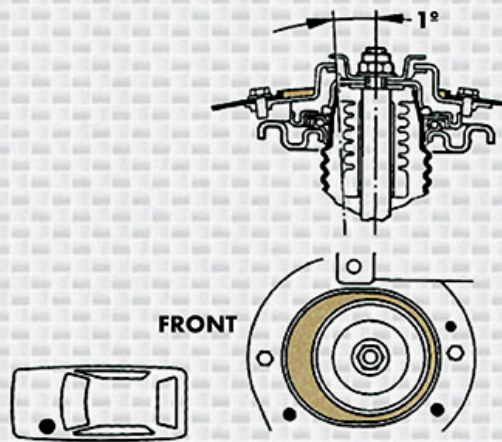


FI039EU

Mechanical steering
Angle of wheel Caster: $1^{\circ} 30'$

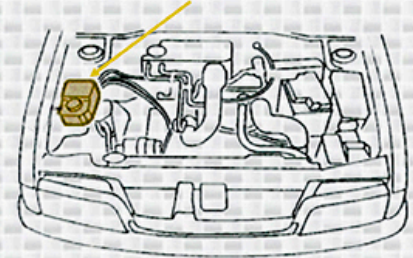


Power-assisted steering
Angle of wheel Caster: 3°



Geometry adjustment must be carried out under load conditions.

Pump reservoir for power assisted steering



Identification of a vehicle with power assisted steering

TIGHTENING TORQUE		daN.m	
A	Top stem nut	4.5	
B	Upper mounting bolts	2	
C	Lower mounting	Knuckle in H	5.5
		Knuckle hollow	4.5
D	Top nut of Stabilizer bracket	4	

